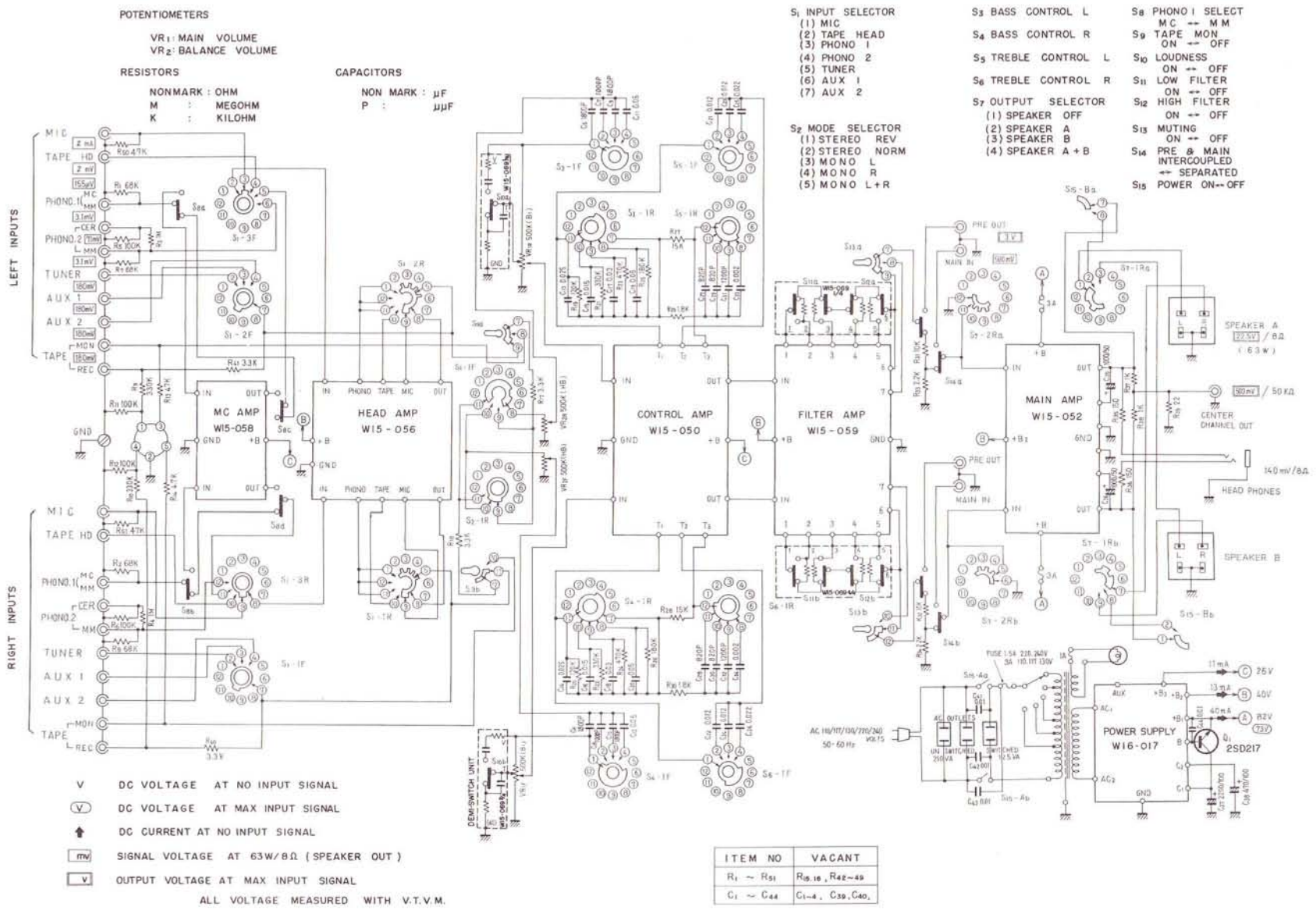


# Model SA-900 / F



**POTENTIOMETERS**  
 VR<sub>1</sub> MAIN VOLUME  
 VR<sub>2</sub> BALANCE VOLUME

**RESISTORS**  
 NON MARK : OHM  
 M : MEGOHM  
 K : KILOHM

**CAPACITORS**  
 NON MARK : μF  
 P : μμF

**S<sub>1</sub> INPUT SELECTOR**  
 (1) MIC  
 (2) TAPE HEAD  
 (3) PHONO 1  
 (4) PHONO 2  
 (5) TUNER  
 (6) AUX 1  
 (7) AUX 2

**S<sub>2</sub> MODE SELECTOR**  
 (1) STEREO REV  
 (2) STEREO NORM  
 (3) MONO L  
 (4) MONO R  
 (5) MONO L+R

**S<sub>3</sub> BASS CONTROL L**  
**S<sub>4</sub> BASS CONTROL R**  
**S<sub>5</sub> TREBLE CONTROL L**  
**S<sub>6</sub> TREBLE CONTROL R**  
**S<sub>7</sub> OUTPUT SELECTOR**  
 (1) SPEAKER OFF  
 (2) SPEAKER A  
 (3) SPEAKER B  
 (4) SPEAKER A + B

**S<sub>8</sub> PHONO I SELECT**  
 MC ↔ MM  
**S<sub>9</sub> TAPE MON**  
 ON ↔ OFF  
**S<sub>10</sub> LOUDNESS**  
 ON ↔ OFF  
**S<sub>11</sub> LOW FILTER**  
 ON ↔ OFF  
**S<sub>12</sub> HIGH FILTER**  
 ON ↔ OFF  
**S<sub>13</sub> MUTING**  
 ON ↔ OFF  
**S<sub>14</sub> PRE & MAIN**  
 INTERCOUPLED  
 ↔ SEPARATED  
**S<sub>15</sub> POWER ON ↔ OFF**

V DC VOLTAGE AT NO INPUT SIGNAL  
 V DC VOLTAGE AT MAX INPUT SIGNAL  
 ↑ DC CURRENT AT NO INPUT SIGNAL  
 [mv] SIGNAL VOLTAGE AT 63W/8Ω (SPEAKER OUT)  
 [V] OUTPUT VOLTAGE AT MAX INPUT SIGNAL

ALL VOLTAGE MEASURED WITH V.T.V.M.

ITEM NO	VACANT
R <sub>1</sub> ~ R <sub>51</sub>	R <sub>52</sub> , R <sub>53</sub> , R <sub>54</sub>
C <sub>1</sub> ~ C <sub>44</sub>	C <sub>45</sub> , C <sub>50</sub> , C <sub>60</sub>

# Model SA-900 / kc

## POTENTIOMETERS

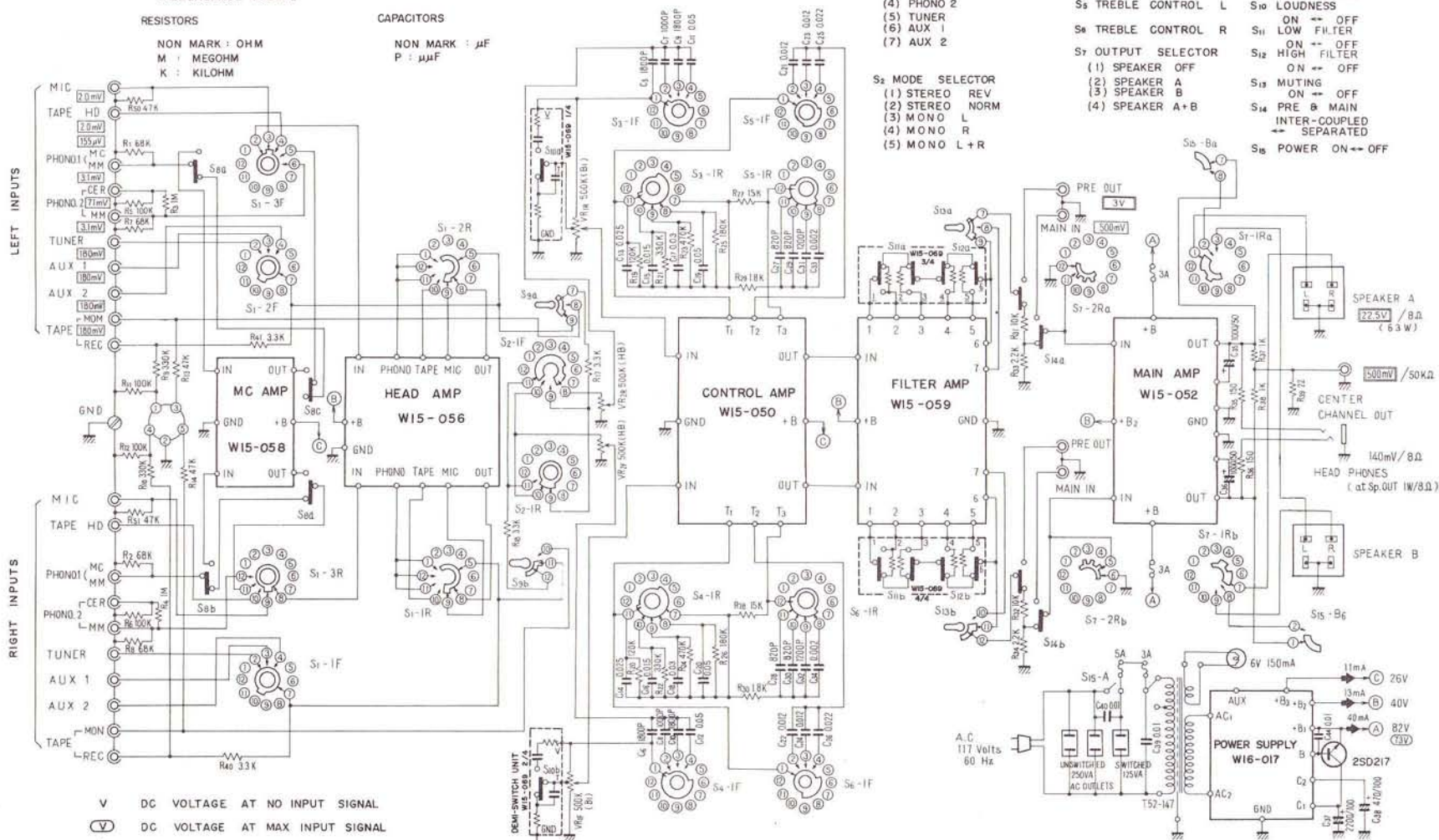
VR<sub>1</sub>: MAIN VOLUME  
VR<sub>2</sub>: BALANCE VOLUME

## RESISTORS

NON MARK : OHM  
M : MEGOHM  
K : KILOHM

## CAPACITORS

NON MARK : μF  
P : μμF



- S<sub>1</sub> INPUT SELECTOR**  
 (1) MIC  
 (2) TAPE HEAD  
 (3) PHONO 1  
 (4) PHONO 2  
 (5) TUNER  
 (6) AUX 1  
 (7) AUX 2

- S<sub>2</sub> MODE SELECTOR**  
 (1) STEREO REV  
 (2) STEREO NORM  
 (3) MONO L  
 (4) MONO R  
 (5) MONO L+R

- S<sub>3</sub> BASS CONTROL L**  
**S<sub>4</sub> BASS CONTROL R**  
**S<sub>5</sub> TREBLE CONTROL L**  
**S<sub>6</sub> TREBLE CONTROL R**  
**S<sub>7</sub> OUTPUT SELECTOR**  
 (1) SPEAKER OFF  
 (2) SPEAKER A  
 (3) SPEAKER B  
 (4) SPEAKER A+B

- S<sub>8</sub> PHONO I SELECT**  
 M C ← M M  
**S<sub>9</sub> TAPE MON**  
 ON ← OFF  
**S<sub>10</sub> LOUDNESS**  
 ON ← OFF  
**S<sub>11</sub> LOW FILTER**  
 ON ← OFF  
**S<sub>12</sub> HIGH FILTER**  
 ON ← OFF  
**S<sub>13</sub> MUTING**  
 ON ← OFF  
**S<sub>14</sub> PRE & MAIN**  
 INTER-COUPLED  
 ← SEPARATED  
**S<sub>15</sub> POWER ON ← OFF**

- V DC VOLTAGE AT NO INPUT SIGNAL  
 V DC VOLTAGE AT MAX INPUT SIGNAL  
 ↑ DC CURRENT AT NO INPUT SIGNAL  
 mV SIGNAL VOLTAGE AT 63W/8Ω (SPEAKER OUT)  
 V OUTPUT VOLTAGE AT MAX INPUT SIGNAL

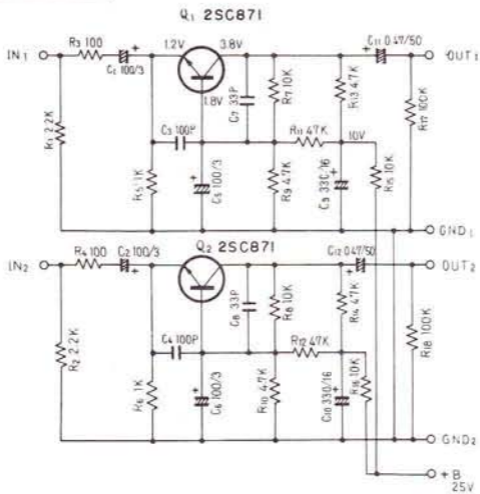
ALL VOLTAGE MEASURED WITH V.T.V.M.

ITEM NO.	VACANT
R <sub>1</sub> ~ R <sub>57</sub>	R <sub>15,16</sub> R <sub>42-49</sub>
C <sub>1</sub> ~ C <sub>44</sub>	C <sub>1-4</sub> C <sub>41, C42, C43</sub>

# MC AMP UNIT W15-058

M.C AMP UNIT

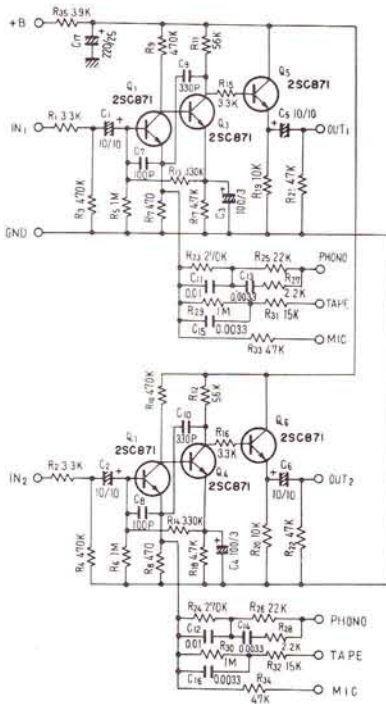
W15-058



# HEAD AMP UNIT W15-056

HEAD AMP UNIT

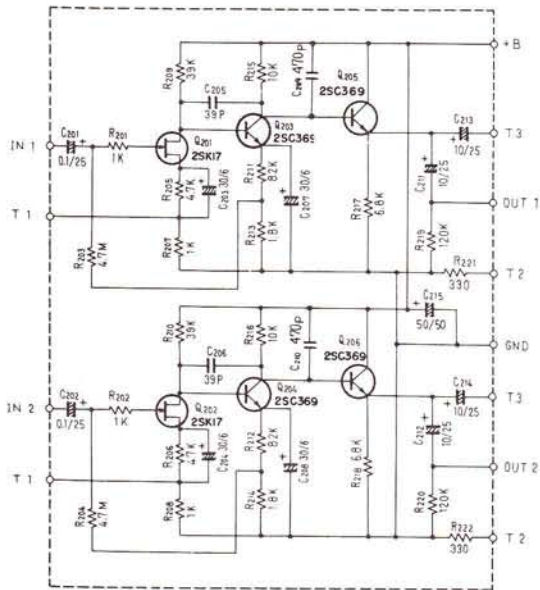
W15-056



# CONTROL AMP UNIT W15-050

CONTROL AMP UNIT

W15-050

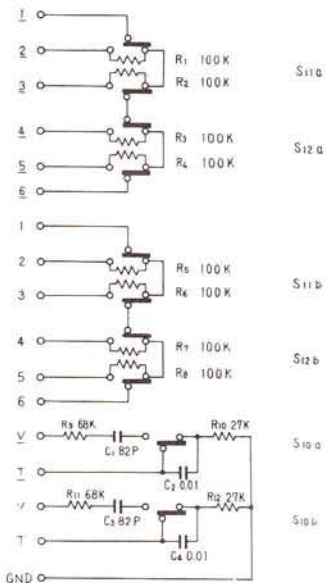


# DEMI-SWITCH UNIT W15-069

DEMI SWITCH UNIT

W15-069

S<sub>10</sub> LOUDNESS  
 S<sub>11</sub> LOW FILTER  
 S<sub>12</sub> HIGH FILTER



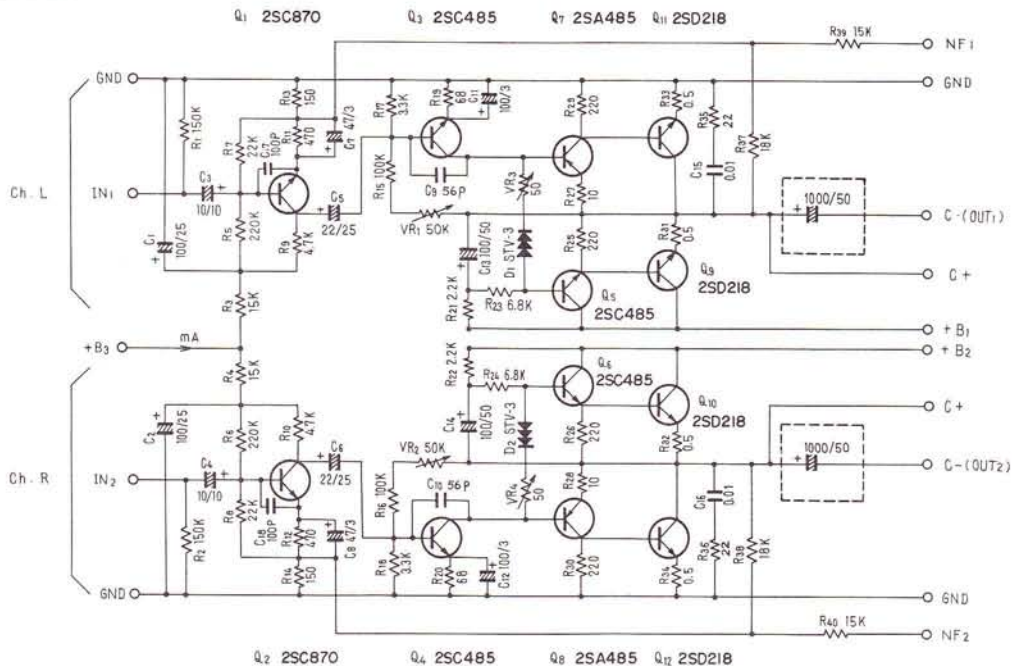
\* under line : Left channel



# MAIN AMP UNIT W15-052

MAIN AMP UNIT

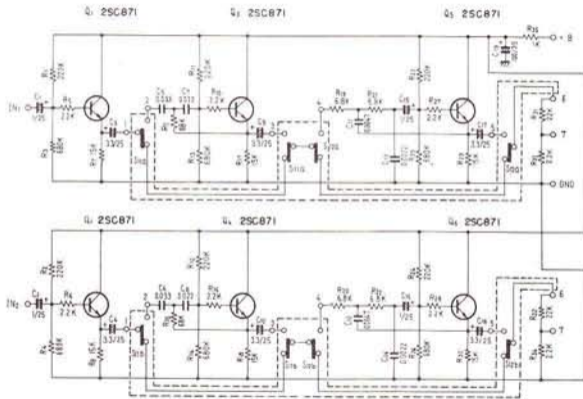
W15-052



# FILTER UNIT W15-059

FILTER UNIT

W15-059





# POWER SUPPLY UNIT

## W16-017

